

## LOCKS DOWN YOUR ROOF

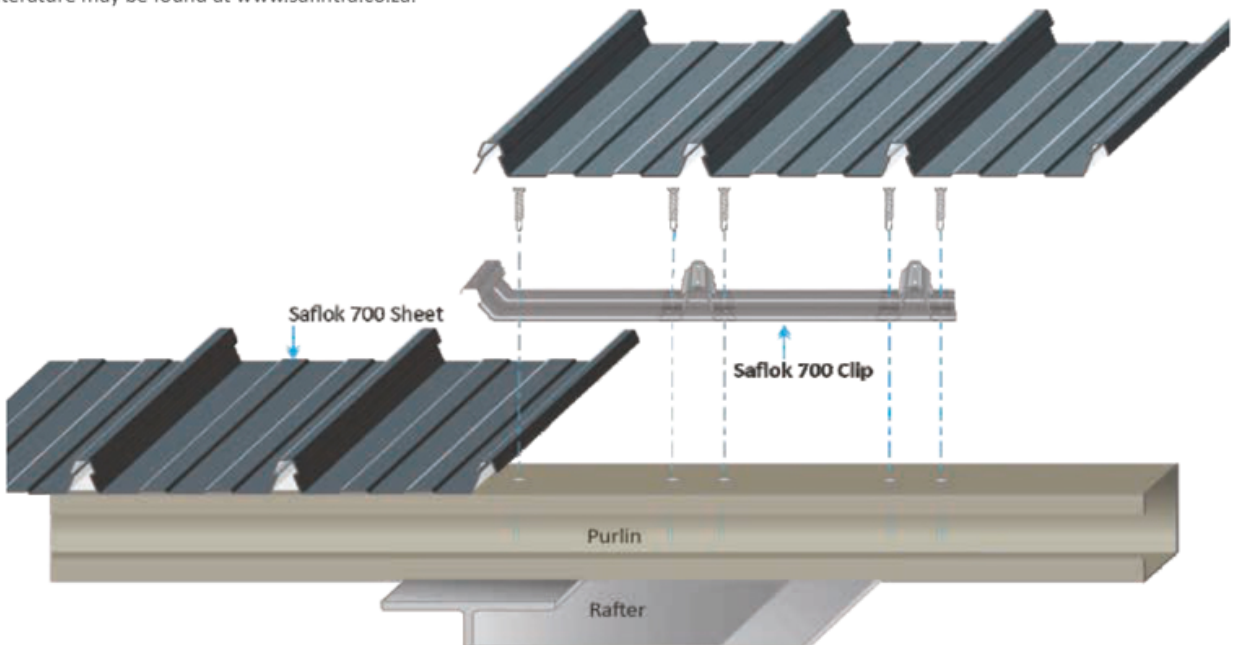
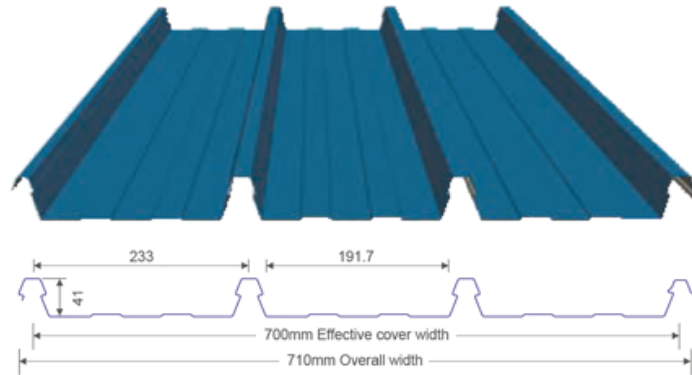
### PRODUCT DESCRIPTION & FEATURES

The Saflok 700® concealed fix roofing system is an interlocking trapezoidal rib profile that can be rolled on site in lengths of up to 120 metres. The minimum roof pitch when using Saflok 700® is 2° on steel and 3° on timber.

Saflok 700® may be rolled in Aluminium - Zinc coated steel (resin coated or colour coated), Galvanized coated steel (resin coated or colour coated) or Aluminium (mill finish or colour coated).

Saflok 700® can be curved or bullnosed to a minimum internal radius of 450mm. Reverse cranking is not possible.

Further literature may be found at [www.safintra.co.za](http://www.safintra.co.za).



### SAFLOK 700 CLIP 20



Saflok 700® clip 20 is the recommended clip for installations onto timber purlins.

### SAFLOK 700 CLIP 35



Saflok 700® clip 35 is the recommended clip for installations onto steel purlins.

Both Saflok® clips are calculated at 330g per clip – you will require approximately 1.5 clips per m<sup>2</sup>.

